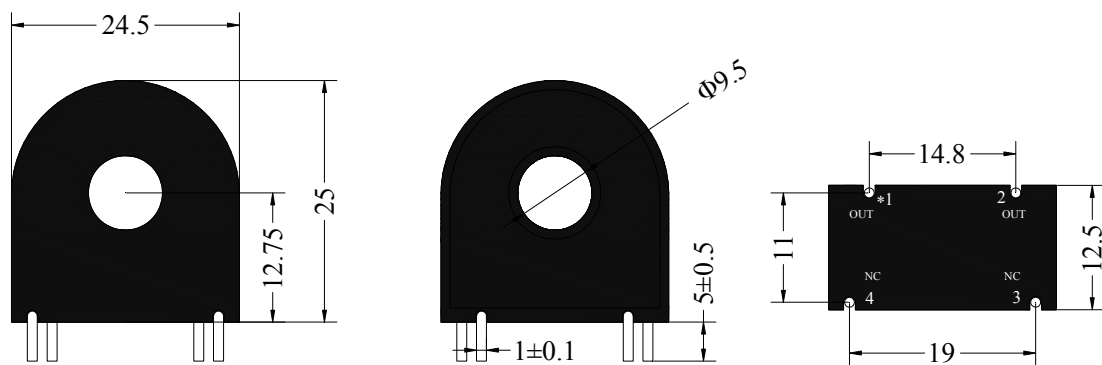


Features:

Small size, light weight, high precision, moisture-proof, anti-vibration, good consistency

Dimensions: (Unit: mm)



Electrical Characteristics:

Dimensions:Inner Diameter/Outer Diameter/L*W*H	Φ9.5 24*25*12.5
Input rated current:	5A
Output rated current	2.5mA
Turns ratio	2000:1
Phase difference	≤60'
Current Range:	0~100A
sLoad Resistance:	20Ω
Accuracy Class	0.5
Operating Temperature:	-40°C~+85°C
Isolation Withstand Voltage:	4000V
Sealing Material:	Epoxy
Installation Method:	PCB