



# PZ-DBC1012H Series

Common Mode Power Line Choke  
 Web: <http://www.dgpinzhan.com>  
 E-mail: [sales@dgpinzhan.com](mailto:sales@dgpinzhan.com)

Created

Checked

Type

Date

Version

Page

Tom

Justin

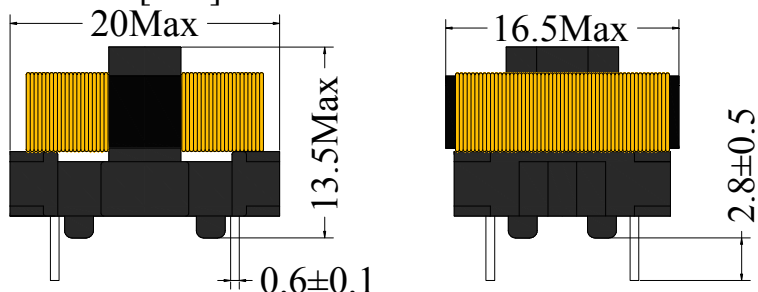
DIP

2020/12/25

A001

1

## 1. Dimensions: [mm]



## 4. General Properties:

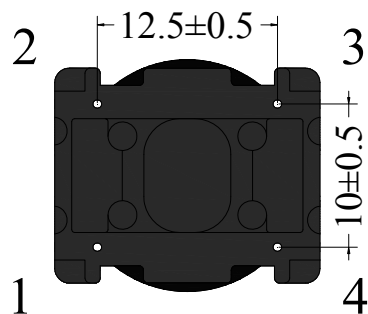
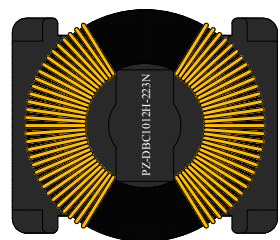
It is recommended that the temperature of the component does not exceed +125°C under worst case conditions.

Storage Temperature: -20 °C up to +60 °C

Operating Temperature: -40 °C up to +125 °C

Temperature Rise < 55K.

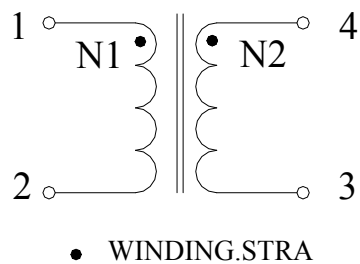
Test conditions of Electrical Properties: +20°C, 33% RH if not specified differently.



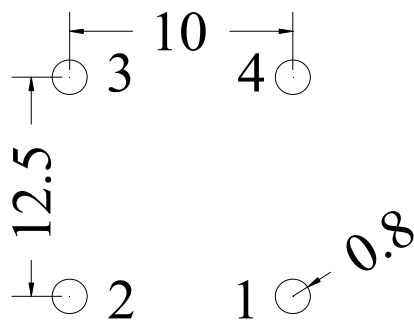
## 5. Electrical Properties:

Part Code	Inductance	Test conditions	DC-Resistance	Rated Current
PZ-DBC1012H-701N	700uH ±30%	10KHZ/0. 25V	16mΩ Max	10. 0A Max
PZ-DBC1012H-102N	1.0mH ±30%	10KHZ/0. 25V	35mΩ Max	8. 0A Max
PZ-DBC1012H-222N	2.2mH ±30%	10KHZ/0. 25V	38mΩ Max	6. 0A Max
PZ-DBC1012H-332N	3.3mH ±30%	10KHZ/0. 25V	52mΩ Max	4. 0A Max
PZ-DBC1012H-502N	5.0mH ±30%	10KHZ/0. 25V	93mΩ Max	3. 0A Max
PZ-DBC1012H-702N	7.0mH ±30%	10KHZ/0. 25V	130mΩ Max	2. 2A Max
PZ-DBC1012H-103N	10mH ±30%	10KHZ/0. 25V	195mΩ Max	1. 2A Max
PZ-DBC1012H-153N	15mH ±30%	10KHZ/0. 25V	320mΩ Max	0. 8A Max
PZ-DBC1012H-203N	20mH ±30%	10KHZ/0. 25V	450mΩ Max	0. 5A Max

## 2. Schematic:



## 3. PCB Layout Ref(mm)



**\* Acceptable customers design custom**

Rated Voltage :250V/AC.

Insulation Test Voltage:1500AC/50 Hz/5mA/3S.